



Technical specifications:

- The three in one lifter solution:
 - self holding in all positions
 - self lifting and SlowMotion
 - flap with brake
- 32mm standard cabinet drilling
- Covers 75°, 90° and 105° angles
- Combined with SlowMotion hinges, it confers a perfect movement to the door

SINGLE KIT

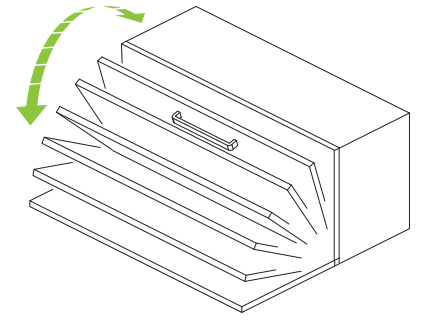
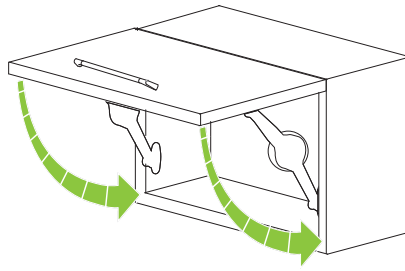
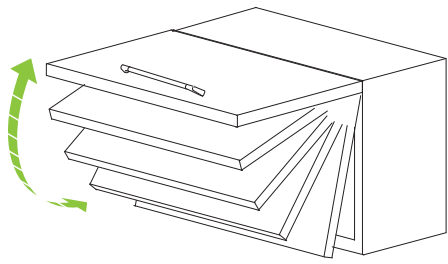
Code	Description		Packing
59.0VW0.05.00.00000	Kit AeroWing	hole distance 37mm	50 kits
59.0VW0.05.28.00000	Kit AeroWing	hole distance 28mm	50 kits

Packed in a kit, consists of:

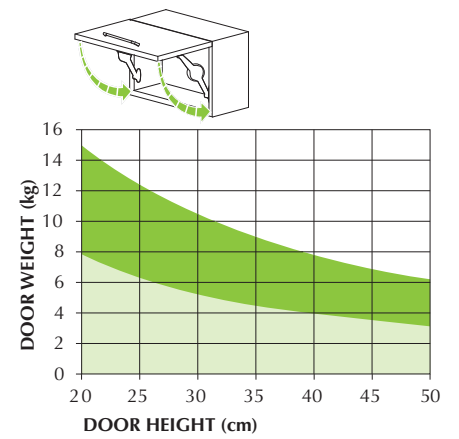
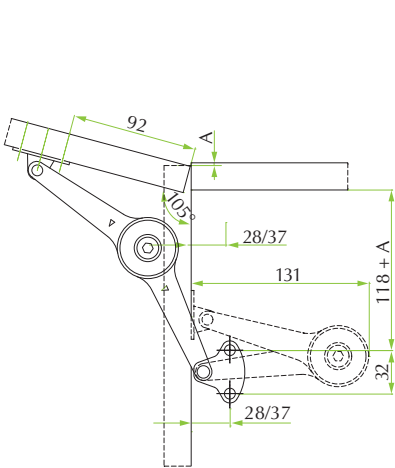
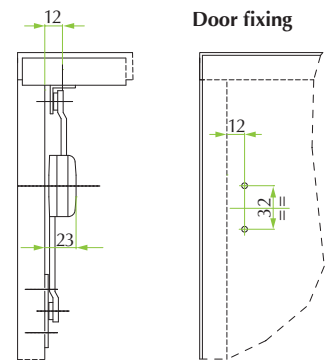
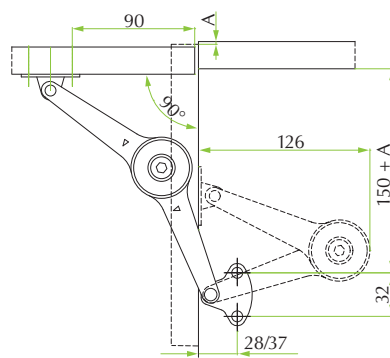
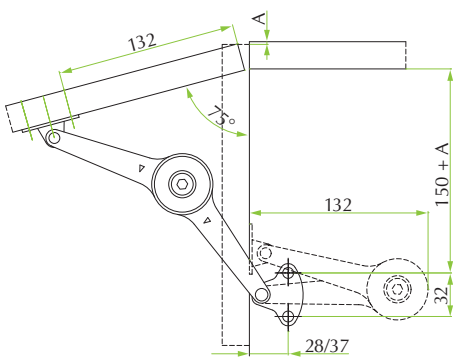
- 1 joint AeroWing
- 1 bracket for cabinet
- 1 bracket for wooden door
- 1 bracket for aluminium frame
- 4 selftapping screws Ø4x15 mm
- Assembly instructions

INDUSTRIAL PACKING

Code	Description		Packing
59.0VWR.05.0000000	Joint AeroWing		50 pcs per box
59.0WBL.05.0000000	Set of brackets for cabinet and brackets for wooden door	hole distance 37mm	100 sets per box
59.0WBA.05.0000000	Set of brackets for cabinet and brackets for aluminium frame	hole distance 37mm	100 sets per box
59.0WBL.05.2800000	Set of brackets for cabinet and brackets for wooden door	hole distance 28mm	100 sets per box
59.0WBA.05.2800000	Set of brackets for cabinet and brackets for aluminium frame	hole distance 28mm	100 sets per box

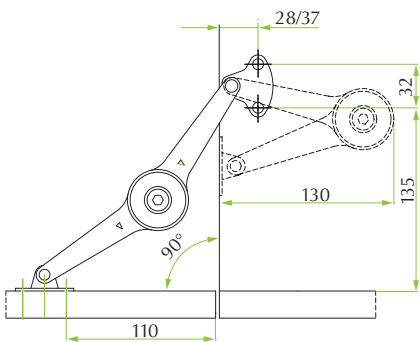


Up solution application:

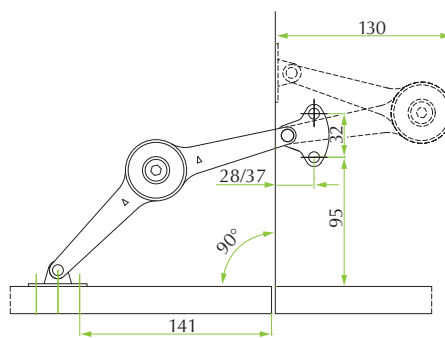


■ AeroWing x2 ■ AeroWing x1

Down solution application:



Magnet required. Not supplied.



Magnet not required.